

The Facet HFG Series Horizontal Fuel-Gard® monitor housings, equipped with Facet's FG Series monitor cartridges, continually check the entire flow of fuel, not just mere samples, for water or solids contamination. By performing three jobs, the FG Series monitors assure clean, dry fuel. They absorb free and emulsified water, remove ultra-fine solids, and shut down system flow when hit with a localized slug of water. They are designed to flow from the outside to inside at a rate of 1 gallon (3.79 liters) per inch of length.

Facet's Fuel-Gard® monitor housings are built to ASME Code, constructed of carbon steel and designated for maximum working pressure of 150 psi. They are furnished with FG Series monitor cartridges that meet and exceed the latest edition of EI Specification 1583 Aviation Fuel Filter Monitors with Absorbent Type Elements.

### Standard Housing Design

- EI 1596 Design & Construction
- Welded carbon steel construction —other materials available on request
- ASME Code, Section VIII construction, stamped and certified
- Maximum working pressure: 150 psi
- Swing bolt closures on 8<sup>5</sup>/<sub>8</sub>" (219 mm.) OD housings and larger
- Buna-N closure o-ring—other materials available
- Exterior: Prime coated
- Interior: Epoxy coated (EI 1541)
- Spider plate

### Standard Connections

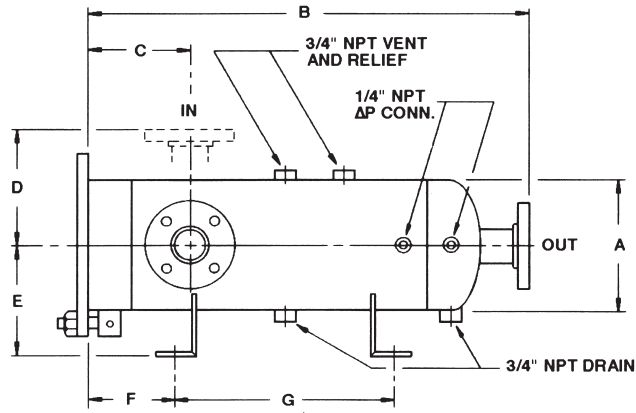
- Flanged inlet and outlet connections
- Drain connection: ¾" NPT
- Vent and relief valve connections: ¾" NPT
- Differential pressure gauge connections: ¾" NPT

### Options

- Automatic air eliminator
- Automatic air eliminator check valve
- Pressure relief valve
- Differential pressure gauge
- Sampling probes
- Manual drain valve
- Victaulic inlet and outlet connections
- Interlock Device

# HFG Series

## Horizontal Fuel-Gard® Filter Monitor Housings



### DATA

| MODEL NUMBER | FLOW RATE |      | REQUIRED CARTRIDGES <sup>(1)</sup> |          | LIQUID VOLUME |     | DRY WEIGHT |     | HOUSING TYPE |
|--------------|-----------|------|------------------------------------|----------|---------------|-----|------------|-----|--------------|
|              | gal       | ltr  | qty                                | model    | gal           | ltr | lbs        | kg  |              |
| HFG-C-5210   | 50        | 189  | 5                                  | FG-710-6 | 3             | 11  | 235        | 107 | FLAT         |
| HFG-C-5220   | 100       | 379  | 5                                  | FG-720-6 | 4             | 15  | 250        | 113 | FLAT         |
| HFG-C-5230   | 150       | 568  | 5                                  | FG-730-6 | 5.5           | 21  | 265        | 120 | FLAT         |
| HFG-C-10220  | 200       | 757  | 10                                 | FG-720-6 | 7.5           | 28  | 310        | 141 | FLAT         |
| HGF-C-10230  | 300       | 1136 | 10                                 | FG-730-6 | 10            | 38  | 350        | 159 | FLAT         |
| HFG-C-70230  | 600       | 2271 | 20                                 | FG-730-6 | 20            | 76  | 385        | 175 | FLAT         |
| HFG-C-30230  | 900       | 3406 | 30                                 | FG-730-6 | 30            | 114 | 450        | 204 | FLAT         |
| HFG-C-40230  | 1200      | 4542 | 40                                 | FG-730-6 | 40            | 151 | 490        | 222 | FLAT         |

### DIMENSIONS

| MODEL NUMBER | INLET/OUTLET DIAMETER |     | A                              |                               | B   |      | C   |     | D   |     | E                             |                               | F   |     | G   |     |
|--------------|-----------------------|-----|--------------------------------|-------------------------------|-----|------|-----|-----|-----|-----|-------------------------------|-------------------------------|-----|-----|-----|-----|
|              | in                    | mm  | in                             | mm                            | in  | mm   | in  | mm  | in  | mm  | in                            | mm                            | in  | mm  | in  | mm  |
|              | HFG-C-5210            | 2   | 51                             | 6 <sup>5</sup> / <sub>8</sub> | 168 | 28   | 711 | 7   | 178 | 7   | 178                           | 6 <sup>1</sup> / <sub>4</sub> | 159 | 6   | 152 | 13  |
| HFG-C-5220   | 2                     | 51  | 6 <sup>5</sup> / <sub>8</sub>  | 168                           | 38  | 965  | 7   | 178 | 7   | 178 | 6 <sup>1</sup> / <sub>4</sub> | 159                           | 6   | 152 | 23  | 584 |
| HFG-C-5230   | 2                     | 51  | 6 <sup>5</sup> / <sub>8</sub>  | 168                           | 48  | 1219 | 7   | 178 | 7   | 178 | 6 <sup>1</sup> / <sub>4</sub> | 159                           | 6   | 152 | 33  | 838 |
| HFG-C-10220  | 3                     | 76  | 8 <sup>5</sup> / <sub>8</sub>  | 219                           | 40  | 1016 | 8   | 203 | 8   | 203 | 7 <sup>1</sup> / <sub>4</sub> | 184                           | 6   | 152 | 24  | 610 |
| HGF-C-10230  | 4                     | 102 | 8 <sup>5</sup> / <sub>8</sub>  | 219                           | 52  | 1321 | 9   | 229 | 8   | 203 | 7 <sup>1</sup> / <sub>4</sub> | 184                           | 6   | 152 | 36  | 914 |
| HFG-C-70230  | 6                     | 152 | 12 <sup>3</sup> / <sub>4</sub> | 324                           | 55  | 1397 | 10  | 254 | 10  | 254 | 9 <sup>1</sup> / <sub>2</sub> | 241                           | 6   | 152 | 38  | 965 |
| HFG-C-30230  | 6                     | 152 | 14                             | 356                           | 55  | 1397 | 10  | 254 | 11  | 279 | 10                            | 254                           | 6   | 152 | 38  | 965 |
| HFG-C-40230  | 6                     | 152 | 16                             | 406                           | 56  | 1422 | 10  | 254 | 12  | 305 | 11                            | 279                           | 6   | 152 | 38  | 965 |

All dimensions, weights and volumes are approximate and are for estimating purposes only.

WARNING: MONITOR CARTRIDGES SHOULD NEVER BE USED WITH FUELS CONTAINING ANTI-ICING ADDITIVES SUCH AS FSII, PRIST AND DI-EGME. THIS INCLUDES PRE-MIXED AND MILITARY FUELS CONTAINING THESE ADDITIVES. THE USE OF MONITOR CARTRIDGES WITH FUELS CONTAINING ANTI-ICING ADDITIVES MAY RESULT IN (1) A FAILURE OF THE MONITOR CARTRIDGE AND/OR (2) MIGRATION OF FILTRATION MEDIA INTO THE FUEL STREAM, EITHER OF WHICH COULD POTENTIALLY CAUSE DAMAGE TO OR SUDDEN FAILURE OF THE CORRESPONDING ENGINE. THE SUPPLIER SHALL NOT BE LIABLE IN ANY RESPECT FOR ANY DAMAGE OR LOSS THAT ARISES FROM THE USE OF MONITOR CARTRIDGES WITH FUELS CONTAINING ANTI-ICING ADDITIVES. SUCH USE IS ENTIRELY AT THE USER'S RISK.